



REF. 106CR

Waterfall with chromotherapy in stainless steel AISI 316L (Marine quality). Polished or satin finish.



RGB CONTROLLER

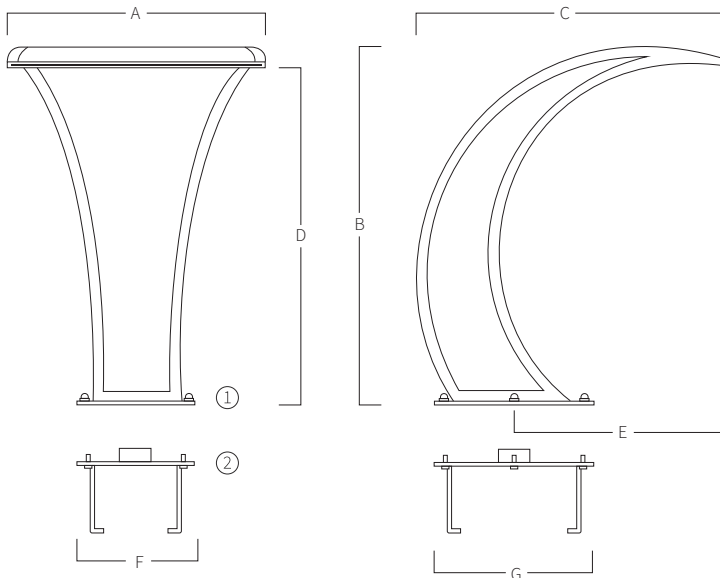
Connect the black and red cables to RGB controller.

WATERPROOF BOX FOR CONNECTION (CONTAINS TRANSFORMER AND RGB CONTROLLER)

LENGHT/WIDTH/HIGH: 120x160x80mm

- Put the transformer inside the connection box and install a minimum of 1,5 meter to 2 from the waterfall.

- The connection from the box to the electrical outlet has a length according to the needs of the project. (Cable not included).



- ① Nuts to fix waterfall.
- ② Support to embed in the ground level.

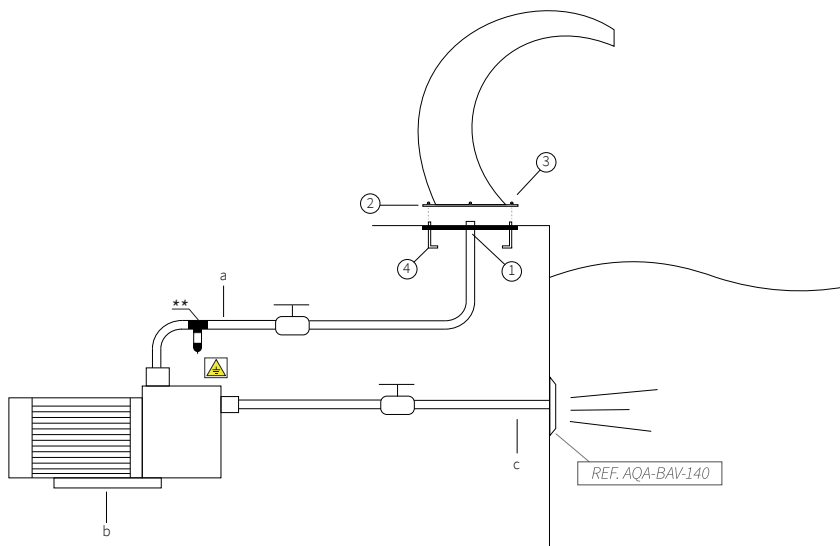
A	B	C	D	E	F	G
300 11,81	650 25,60	600 23,62	543 21,38	400 15,75	180 07,09	260 10,24
500 19,69	700 27,56	600 23,62	643 23,31	400 15,75	230 09,06	310 12,20
700 27,56	800 31,50	765 30,12	713 28,07	520 20,47	255 10,04	340 13,39
1000 39,37	1000 39,37	900 35,43	893 35,16	550 21,65	330 12,99	440 17,32

Measures in mm
Measures in inch

MOUNTING SYSTEM

- 1) Connect the water intake to the support with 2" female fitting.
- 2) Fix the earth connection to the support.
- 3) Embed the support to get the platen at ground level.
- 4) Fix the waterfall with the nuts.
 - a) Impulsion tube 2" (Ø63mm).
 - b) Self-priming pump:
 - 106CR (300) 1hp - 17,3m³/h (Ref. AQA-B17).
 - 106CR (500) 1,5hp - 21,5m³/h (Ref. AQA-B21).
 - 106CR (700) 2hp - 26,6m³/h (Ref. AQA-B26).
 - 106CR (1000) 3hp - 38,8m³/h (Ref. AQA-B38).
 - c) Suction tube 2" (Ø63mm).

*Pneumatic or electric button to be defined in work.



**AQA recommends to install a POOL PROTECTOR to avoid corrosion of the existing stainless steel elements in the pool.