



BP2100

"The Next Generation of Spa Controls"

- New Software with Color Graphics
- Expandable, Configurable. Supports Dozens of Spa Setups
- Comprehensive Diagnostics
- Multiple Languages
- Wi-Fi Enabled



Made in the USA

BALBOA
water group

Announcing...

The New BP2100 Control System for your Hot Tub



Features

- User friendly interface
- Unparalleled system reliability
- Manufacturing Flexibility
- Corrosion and resistant, chemical resistant heater



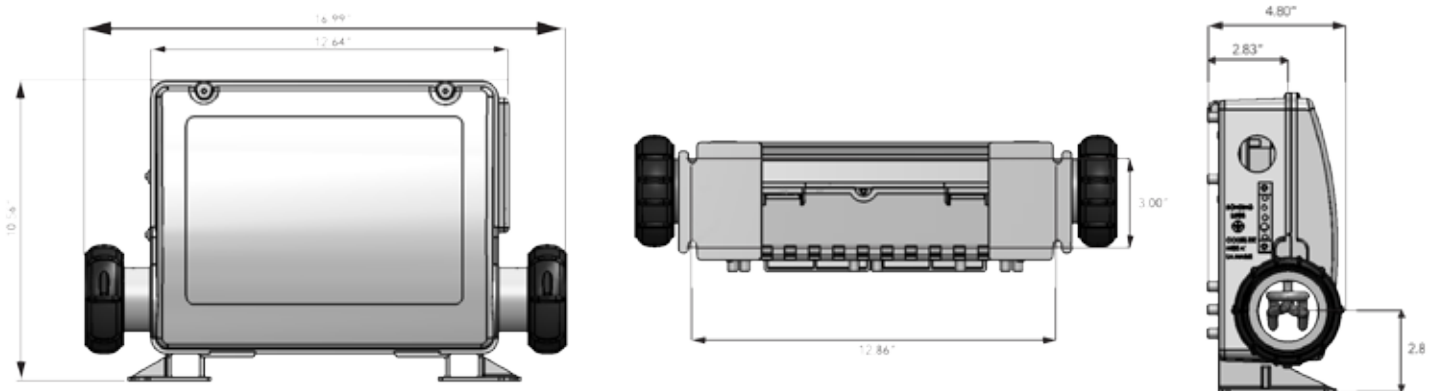
User Interface

- Intuitive menu
- Easy to read color display with graphics
- 5 Background color choices
- Smart chip will detects any problems in your hot tub
- Multiple languages with easy navigation
- State-of-the-art button technology (press & hold)
- Easy Navigation – Shortcuts
- Real time-clock
- Reminder messages
- Comprehensive diagnostics
- Dedicated button (left side)
- Screen size 2.75" (6.98cm) width x 1.75" (4.44cm) height



Incomparable System Reliability

The BP2100 is the first of a new series based on Balboa's most popular models, utilizing advanced technology and higher flame retardant and impact resistant materials. Wi-Fi Enabled with press and hold buttons for ease of use, meet the newly designed BP2100.



BP2100 System Specifications

Material No.	Pump 1	Pump 2	Pump 3	Circ Pump	Blower	AV (Stereo)	Ozone	Spa Lights	Heater
56389	230V 2 Speed	230V 2 Speed	230V 2 Speed	Optional	Optional	230V	230V	10V @ 1A Max	3.0kW @ 230V 800Inc
56390	230V 2 Speed	230V 2 Speed	230V 2 Speed	Optional	Optional	230V	230V	10V @ 1A Max	3.0kW @ 230V 825Inc
56391	230V 2 Speed	230V 2 Speed	230V 2 Speed	Optional	Optional	230V	230V	10V @ 1A Max	3.0kW @ 230V Titanium

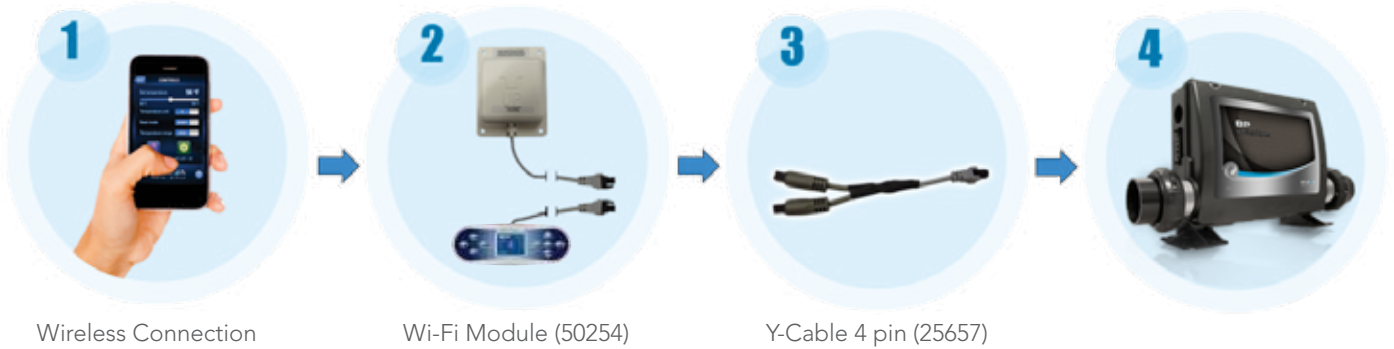
Note: Refer to tech sheet for optional devices and setups.

Environmental	
Operating Temperature	-20°C (-4°F) to 60°C (140°F)
Storage Temperature	-25°C (-13°F) to 85°C (185°F)
Humidity	Humidity: up to 85% RH, non condensing
Mechanical	
Dimensions (W x H x D)	15.5" (39.38cm) x 14.8" (37.59cm) x 6.4" (16.25cm) (without tail pieces)
Enclosure	
IPx5	Metal Heater
Certification	
CE	

BP2100 Wi-Fi Enabled

Wireless System Control

Now you can control your system wirelessly. With a few simple connections and some additional hardware you can have full control of your spa system. To download the software go to the Apple Apps store and download the free spa app, run through the quick setup and your done.



Powerful, Yet Simple Userface

A sleek new topside panel includes a large easy to read back-lit LCD with simple to follow end user menus. With new press and hold button technology, setting temperature and other common tasks have been simplified. User navigation is intuitive and easier than ever, reducing customer service help calls.

Compatible Topside Panels



Panel TP400

- 4 button with LCD display

Material No.:

- 55702: No Overlay (TP400W)
- 55701: No Overlay (TP400T)
- 50259: With Overlay (12510)
- 50260: With Overlay (12511)



Panel TP600

- 6 button with LCD display

Material No.:

- 55676: No Overlay
- 56046: 15ft. Cord
- 50016: For International
- 55673: With Overlay (12101)
- 50014: For Intl' with overlay (12101)



Panel TP800

- 9 button with LCD display

Material No.:

- 50204: No Overlay
- 50261: With Overlay (12512)



Panel TP900

- 5 button with LCD display

Material No.:

- 55994: No Overlay
- 50262: With Overlay (12513)